

## GENERAL INFO

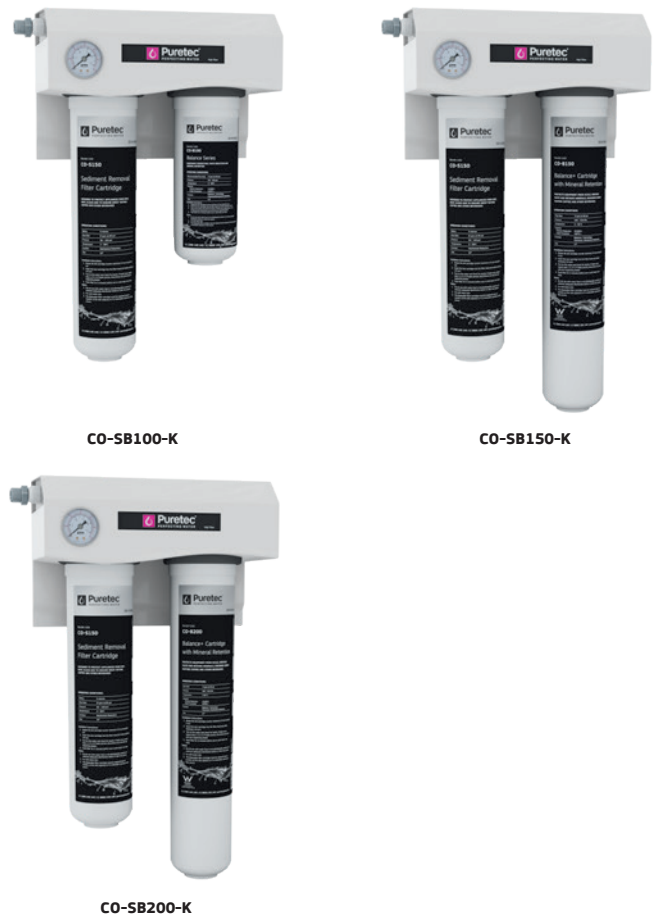
## BALANCE PLUS TWIN WATER TREATMENT SYSTEM

Maintains flavour-enhancing minerals in water and keeps a balanced pH.

The Puretec CO-B Series range provides the perfect balance between protecting espresso equipment and the ideal water quality for espresso brewing. The role of water when creating coffee is to extract flavour compounds and leaves behind the unpleasant ones. Calcium, magnesium and carbonate play an important role in enhancing and muting flavours derived from coffee grounds. Unfortunately, when heated calcium and carbonate create limescale, which is bad news for the lifespan and performance of any coffee machine. Balance+ Technology was brought about from the desire to maintain flavour enhancing minerals in the water so that a balanced flavour is achieved, whilst still protecting equipment from limescale.

## FEATURES & BENEFITS

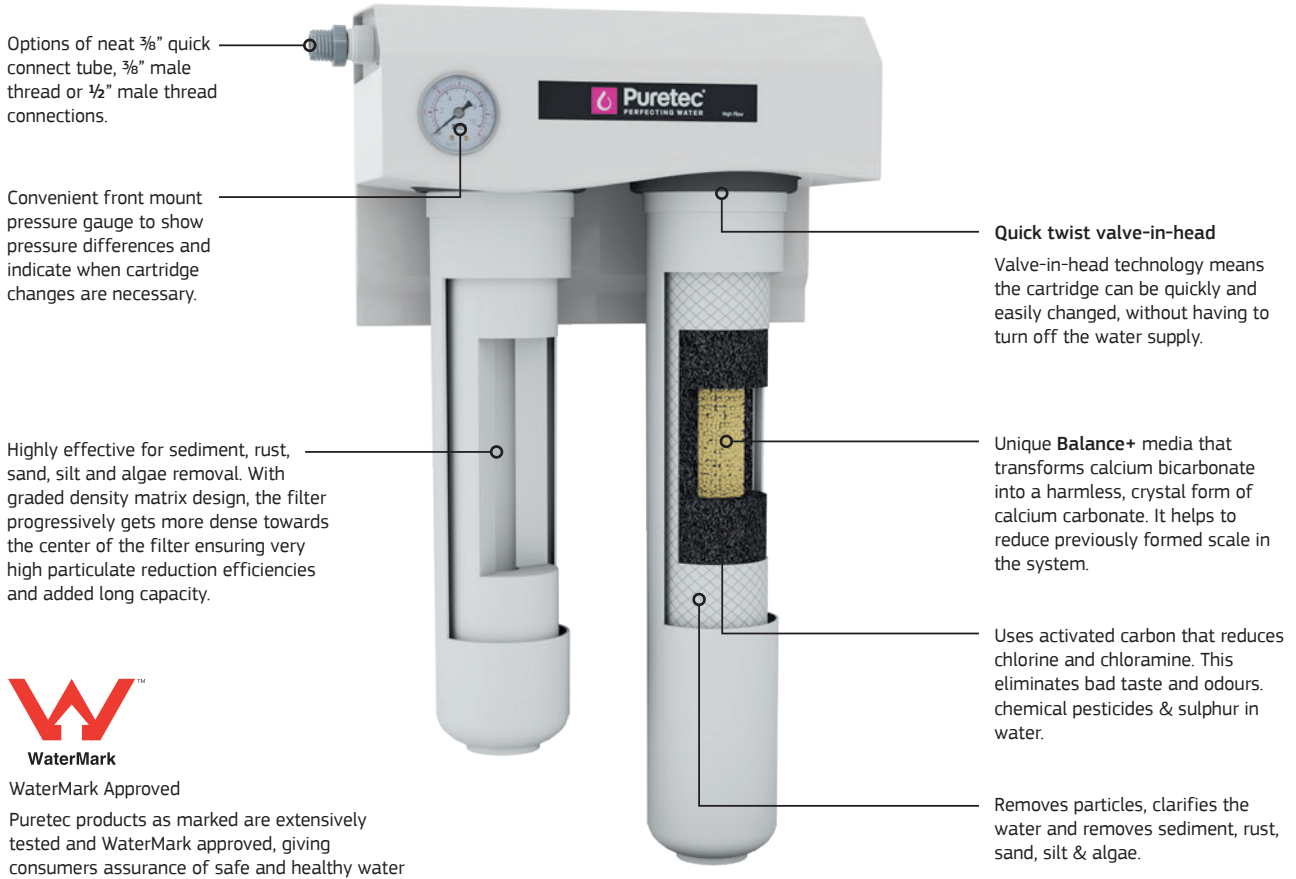
- Balance+ media does not add or take anything from the water, maintaining TDS levels after treatment. Retains mineral content to bring out espresso flavours.
- The pH levels remain unchanged, meaning the treated water is suitable for nearly any application where corrosion is a concern.
- Nuclear Crystallization of calcium and magnesium ions.
- Balance+ Technology prevents scale build up, but also helps to reduce previously formed scale in the system. Crystallized minerals will not bond and form scale.
- Extra sediment filter that is highly effective for sediment, rust, sand, silt and algae removal that **prolongs filter life**.
- Low cost alternative to reverse osmosis systems.
- Easy installation and maintenance.



Ordering Code	CO-SB100-K	CO-SB150-K	CO-SB200-K
Replacement parts and cartridges:			
Stage 1 filtration:	CO-S150	CO-S150	CO-S150
Stage 2 filtration:	CO-B100	CO-B150	CO-B200
Flow rate:	0.61 Lpm	1.1 Lpm	2.2 Lpm
Scale Reduction:	2,437L	4,875L	9,750L
Chlorine Reduction:	38,000L	12,000L	38,000L
Connection:	3/8" or 1/2"	3/8" or 1/2"	3/8" or 1/2"
Warranty:	3 years^	3 years^	3 years^

Important Note Use only genuine Puretec replacement cartridge. 3 year warranty is 1 year parts and labour plus 2 years parts only.

**DIAGRAM & FILTRATION TECHNOLOGY**



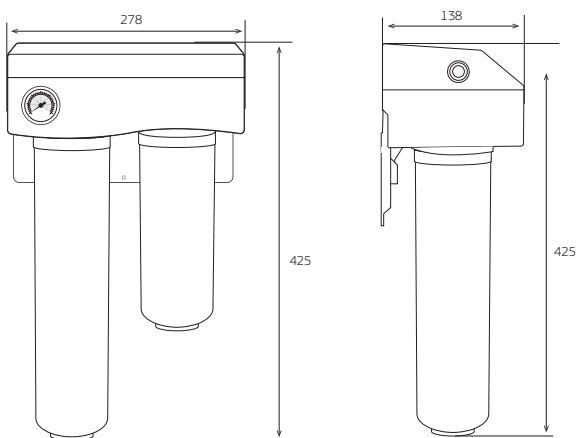
**WaterMark**

WaterMark Approved

Puretec products as marked are extensively tested and WaterMark approved, giving consumers assurance of safe and healthy water

**PRODUCT DIMENSIONS** (measurements shown in millimetres)

**CO-SB100-K**



**CO-SB150-K & CO-SB200-K**

